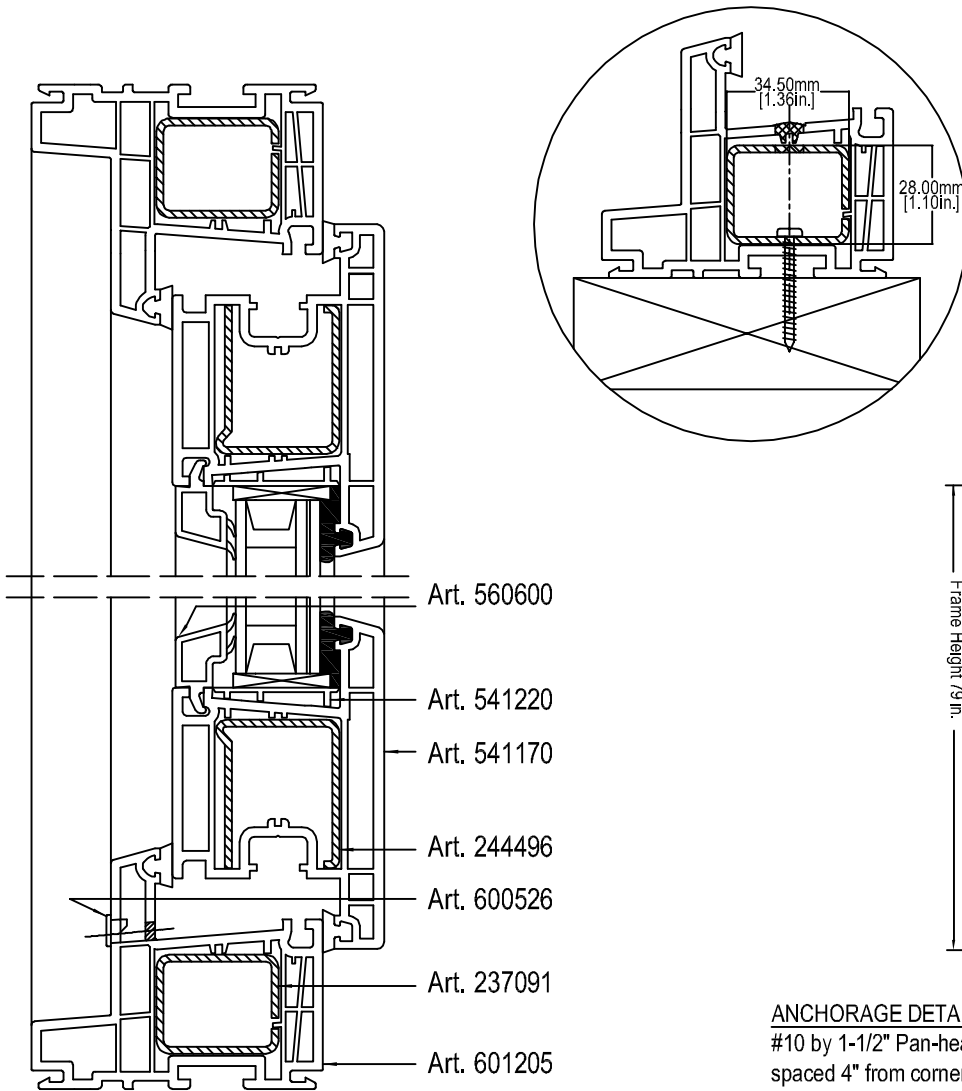


SECTION B-B



SECTION A-A

Art. 560600

Art. 541220

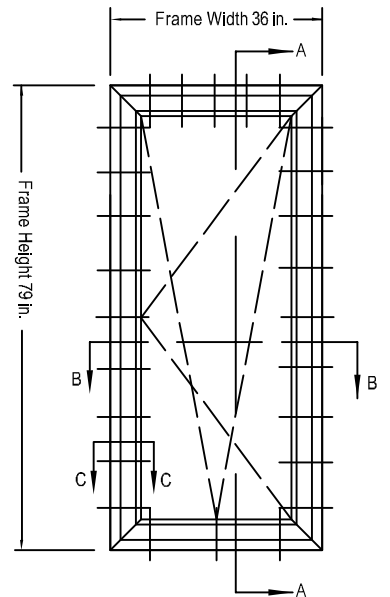
Art. 541170

Art. 244496

Art. 600526

Art. 237091

Art. 601205



**ANCHORAGE DETAIL:**

#10 by 1-1/2" Pan-head  
spaced 4" from corner, and approx. 8"  
elsewhere

© COPYRIGHT 2008 REHAU INCORPORATED

THE DESIGN, CONCEPT AND INFORMATION CONTAINED  
IN THIS DRAWING IS PROPRIETARY TO REHAU INC.  
AND MAY NOT BE REPRODUCED, USED OR DISCLOSED  
WITHOUT WRITTEN PERMISSION FROM SAID COMPANY.



Unlimited Polymer Solutions

System: 4500

Title: Tilt-Turn Blst Window: 3-1/4" Frame, T-94 Sash

Date: 02/17/11

Scale: 1:1

Dwg. No.